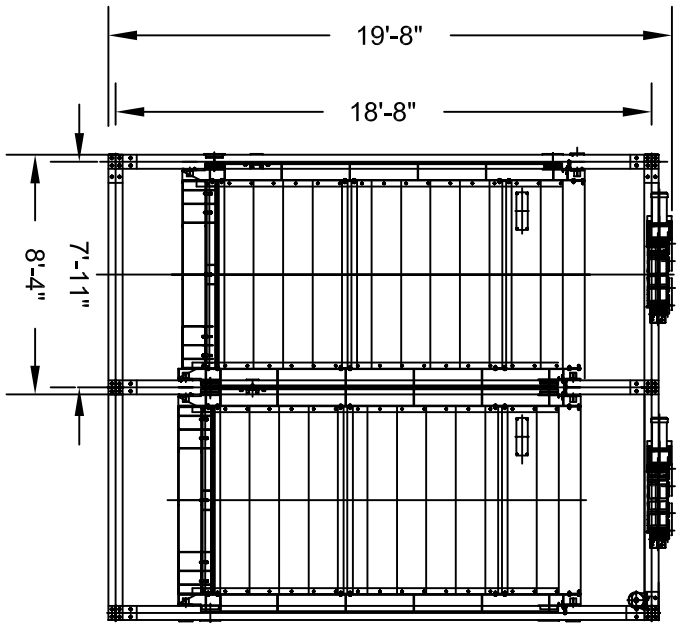
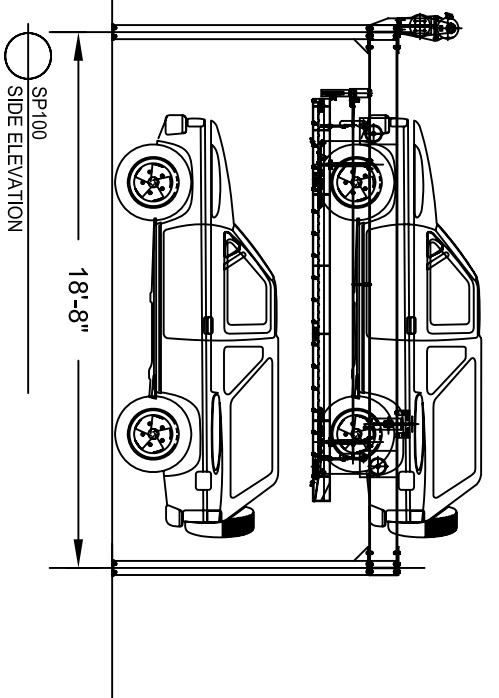


- 1 STRUCTURAL FRAME
- 2 MOTOR LIFTING DEVICE
- 3 PLATFORM
- 4 FOUNDATION



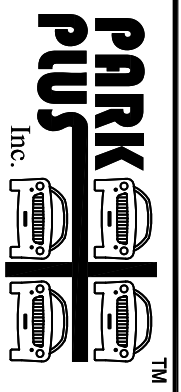
SP100  
SCHEMATIC PLAN

THIS CONFIDENTIAL DOCUMENT IS THE PROPERTY OF PARK PLUS, INC. AND SHALL NOT BE GIVEN, COPIED OR REPRODUCED WITHOUT PRIOR WRITTEN CONSENT.

**PARK PLUS** Inc.™

PARKING SYSTEMS

DATE: \_\_\_\_\_  
DRAWN BY: \_\_\_\_\_  
CHECKED BY: \_\_\_\_\_  
PROJECT DRAWING



480 MAIN AVENUE UNIT 1  
WALLINGTON, NJ 07057  
TEL: (973) 574-8020  
FAX: (973) 574-8030  
www.parkplusinc.com  
email: info@parkplusinc.com

PROJECT  
**SUSPENDED PARKING SYSTEM**  
TECHNICAL SPECIFICATION

DRAWING DESCRIPTION

SP100

DRAWING NOT TO SCALE

REVISIONS:  
△