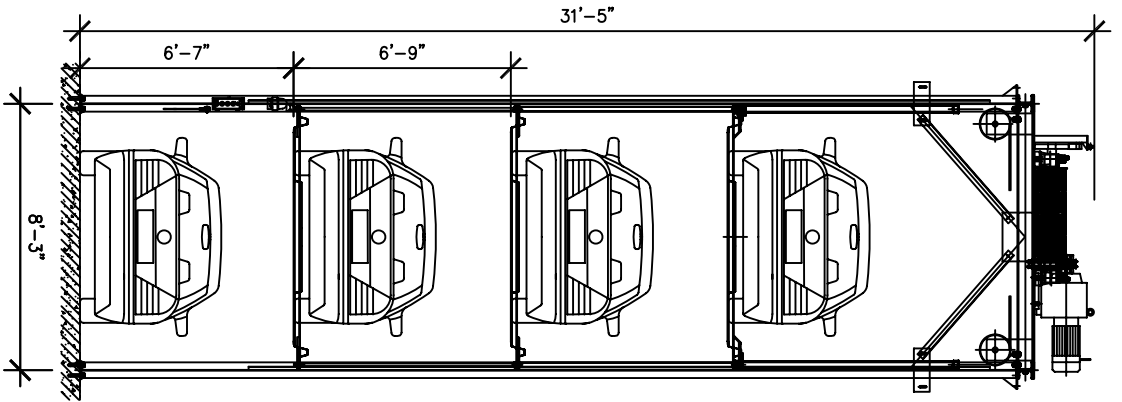
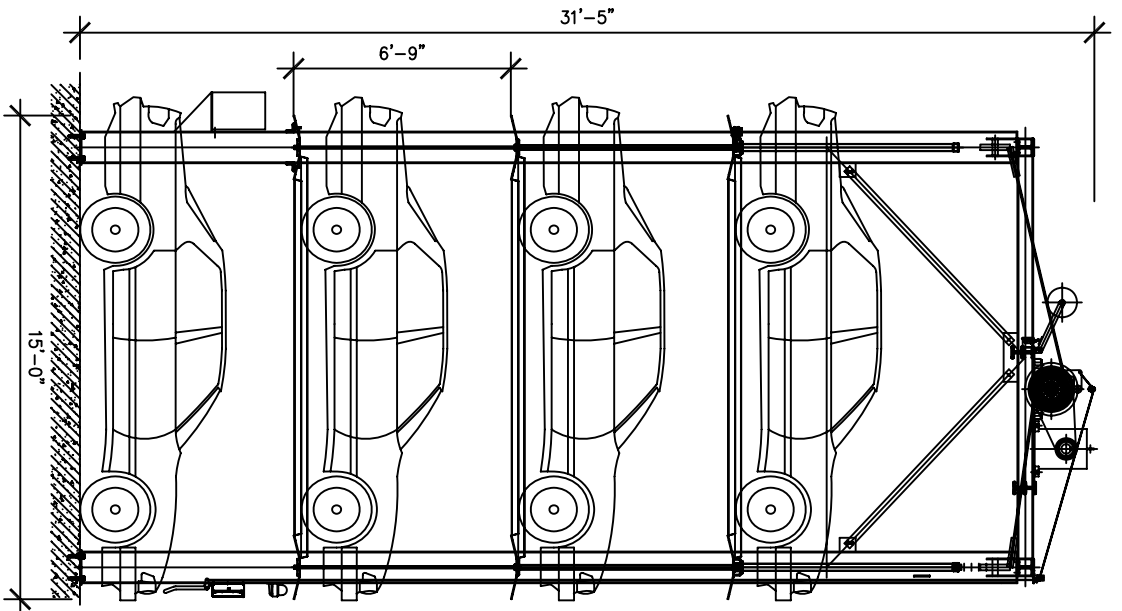


QP1000E
SCHEMATIC PLAN



QP1000E
FRONT/REAR ELEVATION



QP1000E
SIDE ELEVATION

THIS CONFIDENTIAL DOCUMENT IS THE PROPERTY OF PARK PLUS, INC. AND SHALL NOT BE GIVEN, COPIED OR REPRODUCED WITHOUT PRIOR WRITTEN CONSENT.

PARKING SYSTEMS

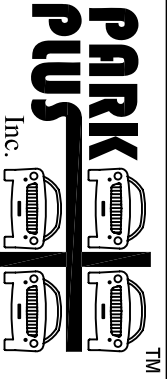
PARK PLUS Inc.™

PROJECT DRAWING

CHECKED BY :

DRAWN BY :

DATE :



480 MAIN AVENUE UNIT 1
WALLINGTON, NJ 07057
TEL: (973) 574-8020
FAX: (973) 574-8030
www.parkplusinc.com
email: info@parkplusinc.com

PROJECT

QUADRUPLE PARKING SYSTEMS
TECHNICAL SPECIFICATION

DRAWING DESCRIPTION

QP1000E

DRAWING NOT TO SCALE

REVISIONS:
△