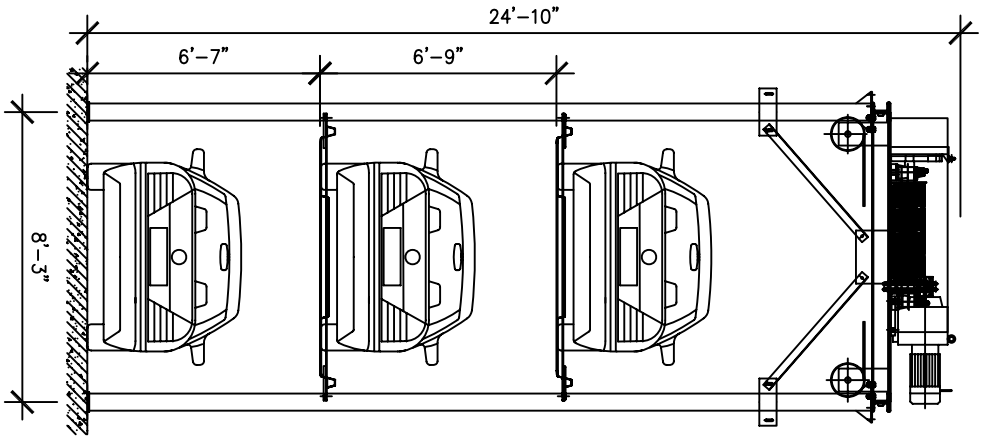
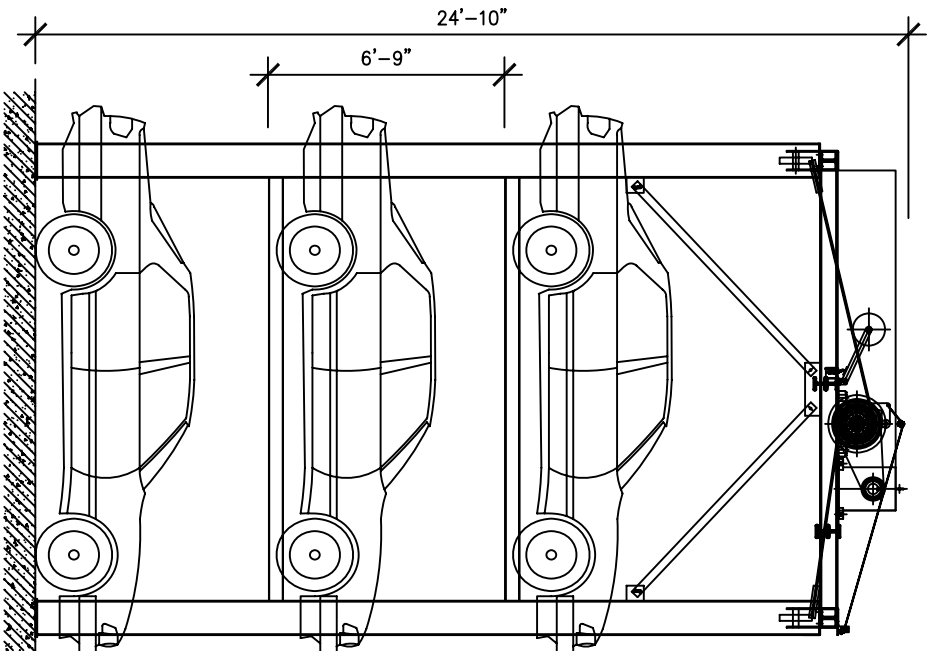


TP500E
SCHEMATIC PLAN



TP500E
FRONT/REAR ELEVATION

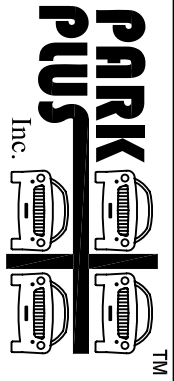


TP500E
SIDE ELEVATION

THIS CONFIDENTIAL DOCUMENT IS THE PROPERTY OF PARK PLUS, INC. AND SHALL NOT BE GIVEN, COPIED OR REPRODUCED WITHOUT PRIOR WRITTEN CONSENT.

PARK PLUS Inc.™
PARKING SYSTEMS

DATE: _____
DRAWN BY: _____
CHECKED BY: _____
PROJECT DRAWING



480 MAIN AVENUE UNIT 1
WALLINGTON, NJ 07057
TEL: (973) 574-8020
FAX: (973) 574-8030
www.parkplusinc.com
email: info@parkplusinc.com

PROJECT
TRIPLE PARKING SYSTEMS
TECHNICAL SPECIFICATION

DRAWING DESCRIPTION

TP500E

DRAWING NOT TO SCALE

REVISIONS:
△