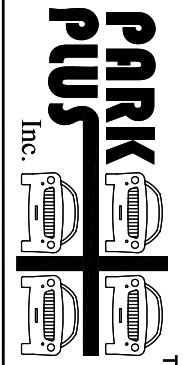


PROJECT DRAWING  
 CHECKED BY:  
 DRAWN BY:  
 DATE:



480 MAIN AVENUE UNIT 1  
 WALLINGTON, NJ 07057  
 TEL: (973) 574-8020  
 FAX: (973) 574-8030  
 www.parkplusinc.com  
 email: info@parkplusinc.com

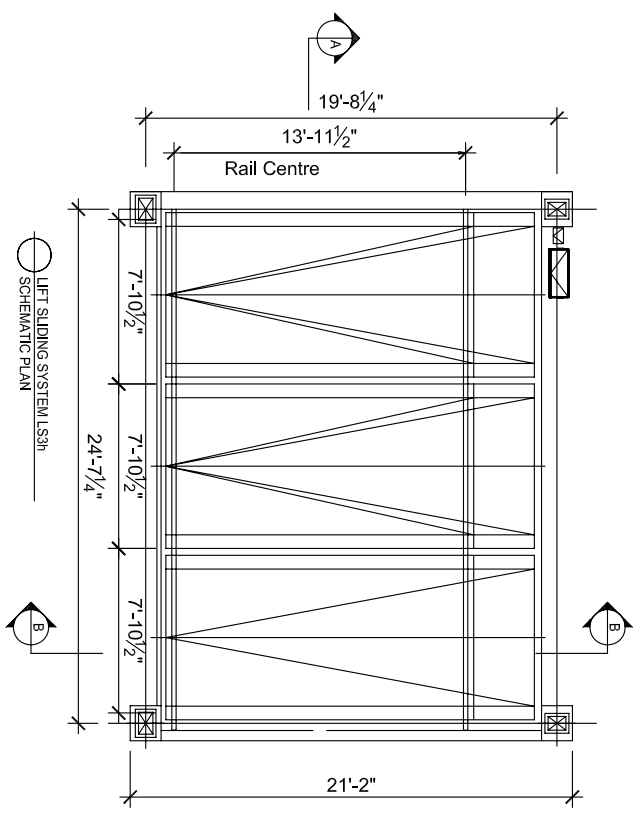
PROJECT LIFT SLIDING PARKING SYSTEM  
 TECHNICAL SPECIFICATION  
 SEMI-AUTOMATED PARKING SYSTEM

DRAWING DESCRIPTION  
 MODEL LS3h

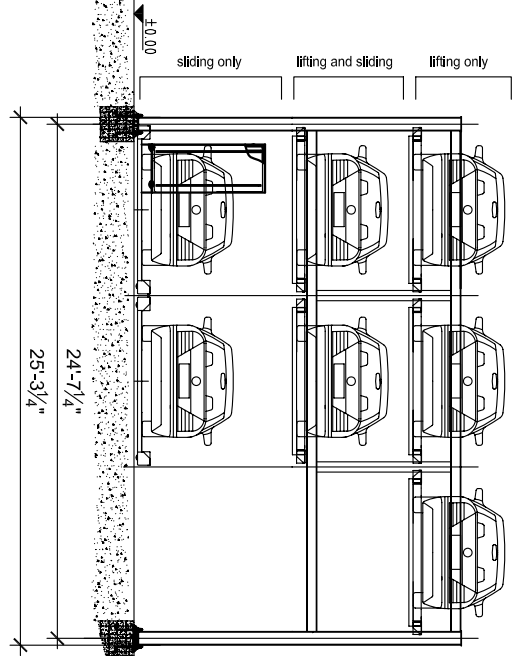
REVISIONS:  
 △

THIS CONFIDENTIAL DOCUMENT IS THE PROPERTY OF PARK PLUS, INC. AND SHALL NOT BE GIVEN, COPIED OR REPRODUCED WITHOUT PRIOR WRITTEN CONSENT.

**PARK PLUS Inc.™**  
 PARKING SYSTEMS



LIFT SLIDING SYSTEM LS3h  
 SECTIONAL ELEVATION A-A



LIFT SLIDING SYSTEM LS3h  
 SECTIONAL ELEVATION B-B

